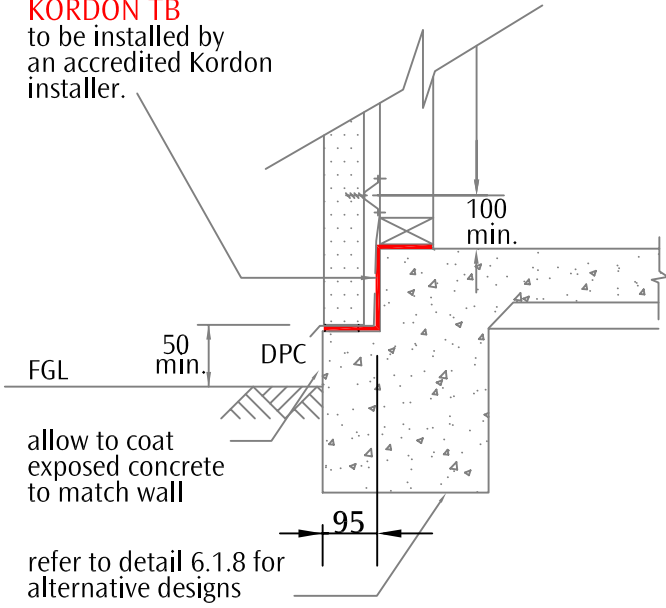
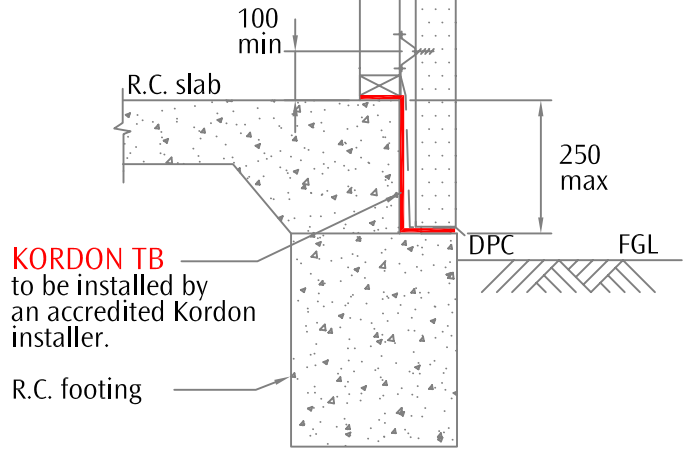


KORDON TB
to be installed by
an accredited Kordon
installer.



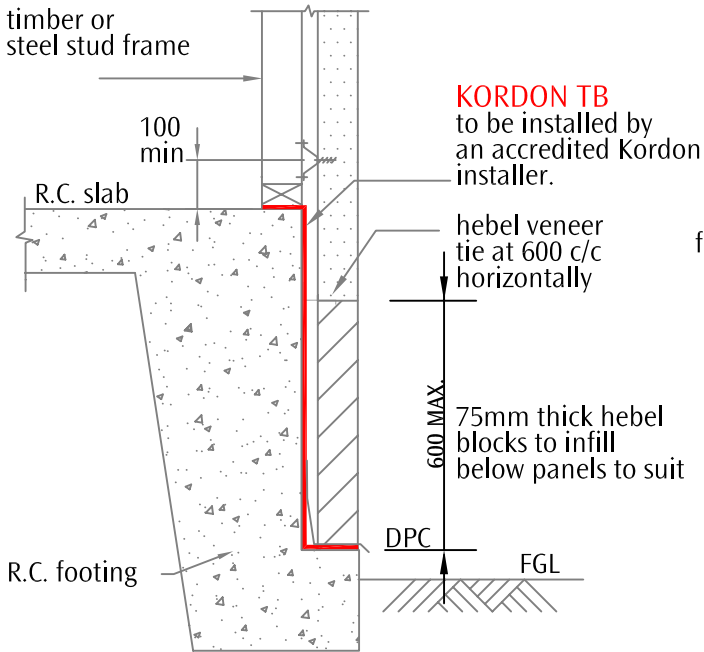
timber or
steel stud frame



KORDON TB
to be installed by
an accredited Kordon
installer.

R.C. footing

timber or
steel stud frame

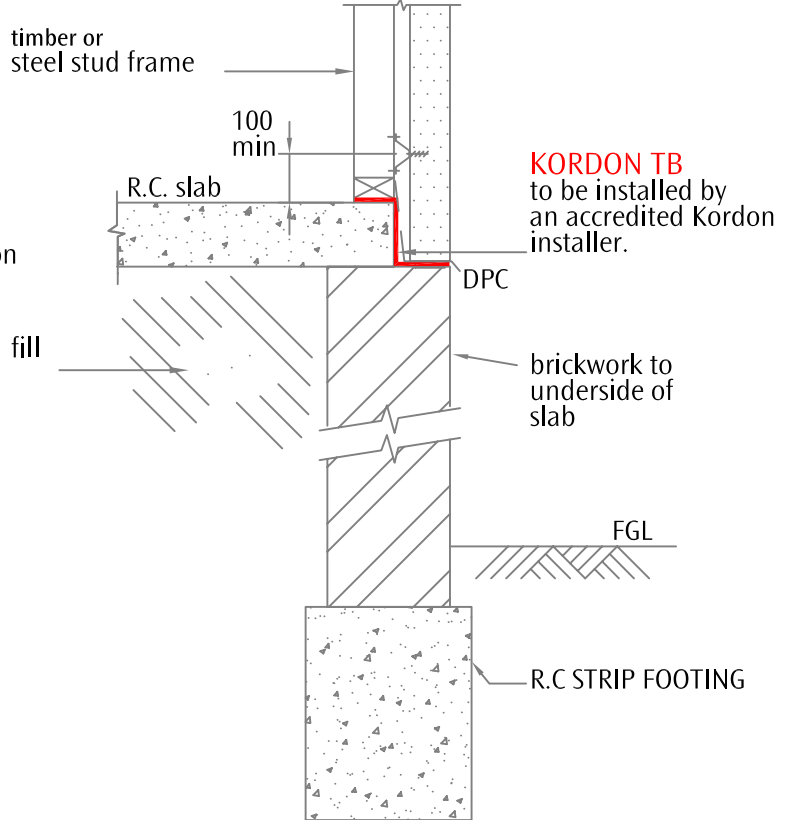


KORDON TB
to be installed by
an accredited Kordon
installer.

hebel veneer
tie at 600 c/c
horizontally

600 MAX.
75mm thick hebel
blocks to infill
below panels to suit

timber or
steel stud frame



KORDON TB
to be installed by
an accredited Kordon
installer.

brickwork to
underside of
slab

FGL

R.C STRIP FOOTING

KORDON TERMITE BARRIER

Subject

hebel

Sheet No.

kd 054