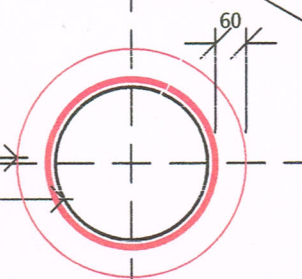


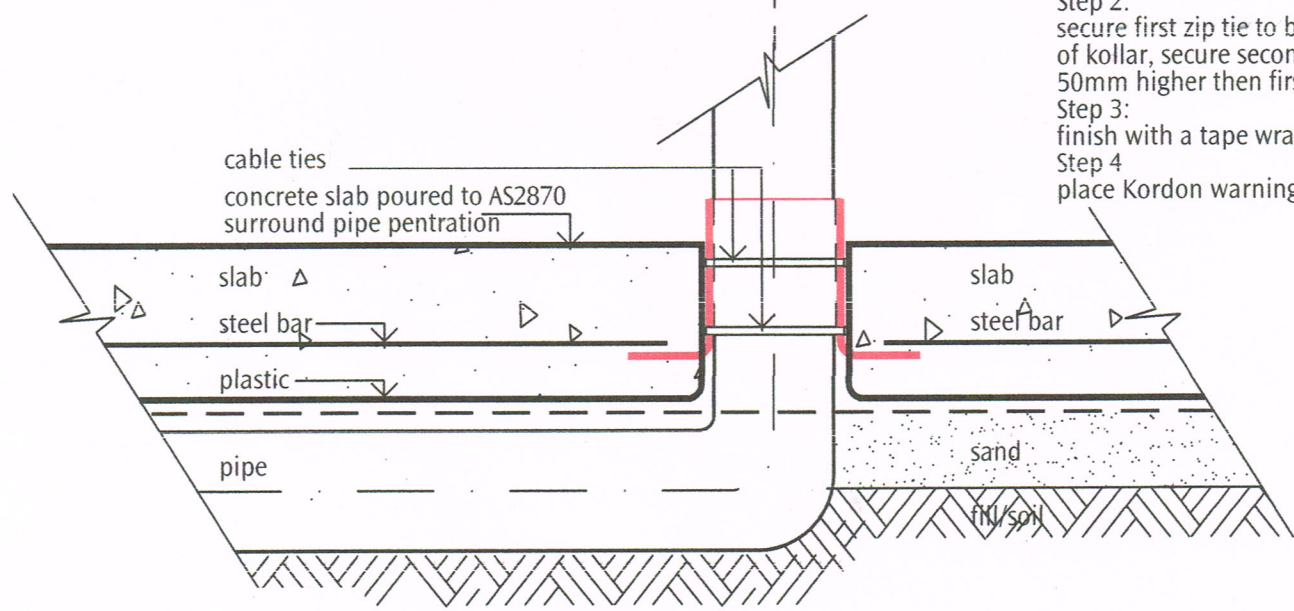
isometric view
slab cut away

Kordon Kollar
100mm dia pipe
plan



Kordon Kollar installation

- Step 1: place Kordon Kollar over pipe slide down mid depth of slab
- Step 2: secure first zip tie to base of kollar, secure second zip tie 50mm higher then first
- Step 3: finish with a tape wrap at top
- Step 4: place Kordon warning tape on pipe



Kordon Termite Barrier

Subject

Kordon Kollar MK III



Sheet No.

KD231a

Date.

AUG/15